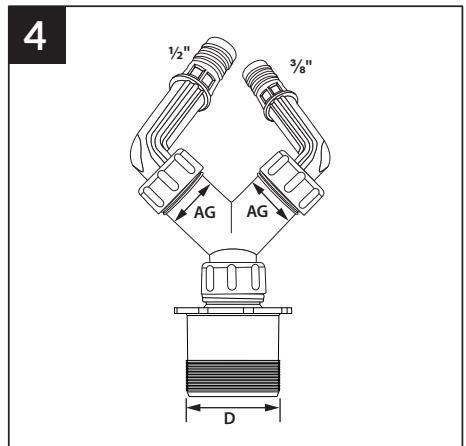
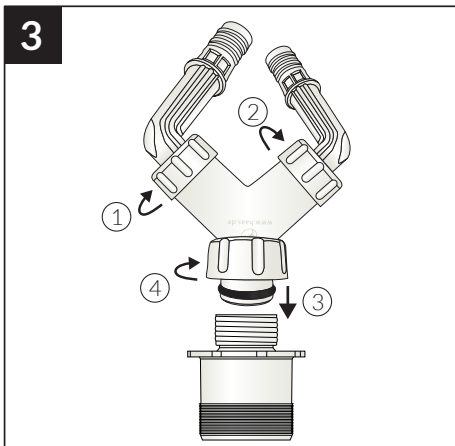
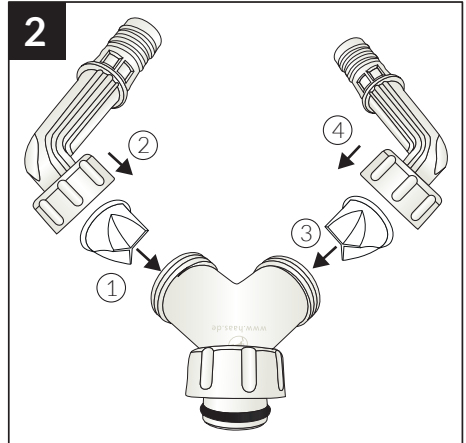
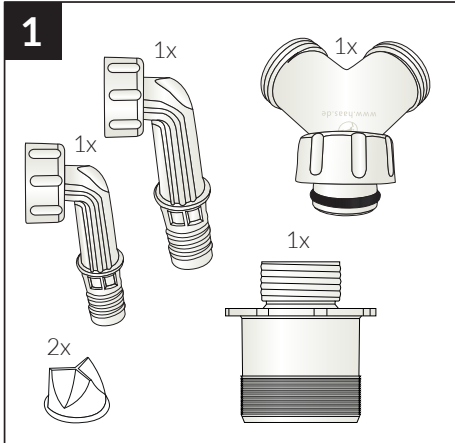




Art. 5022



AG = 1"
IG = 1"
D = 50