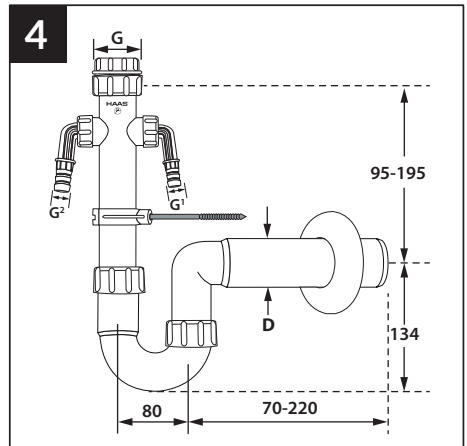
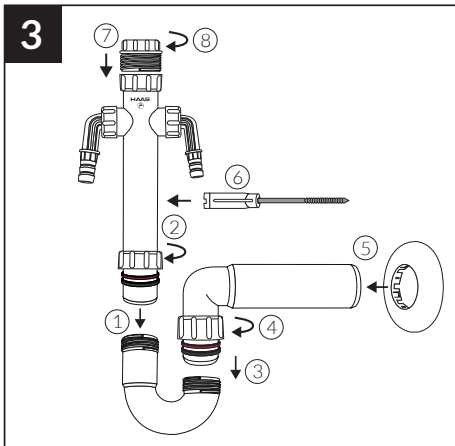
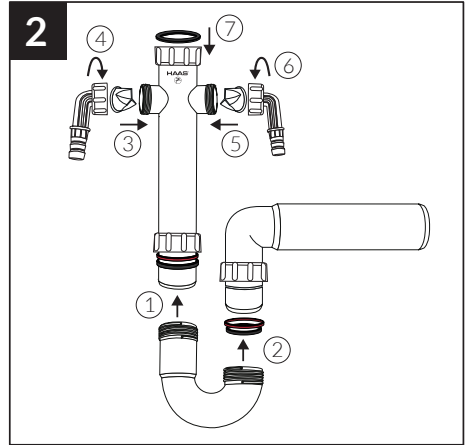
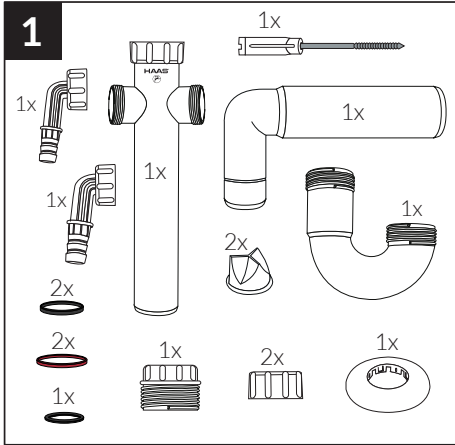




Art. 4982 / DN 50



G = 1 1/2"
 G' = 3/8"
 G'' = 1/2"