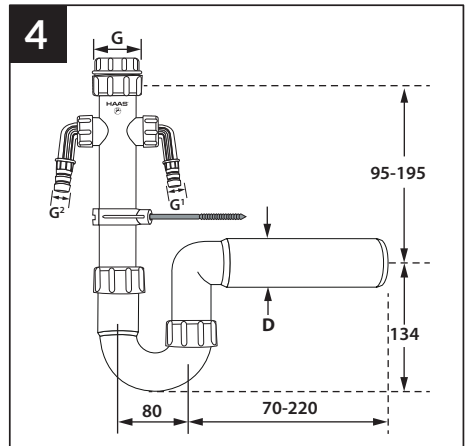
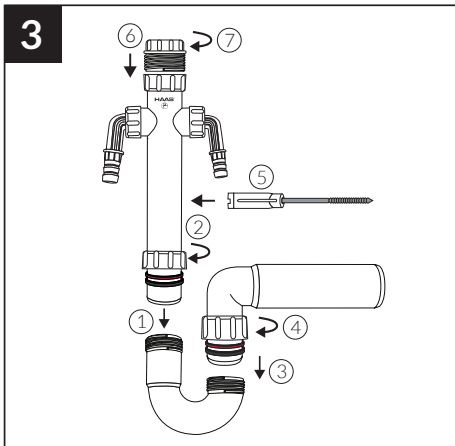
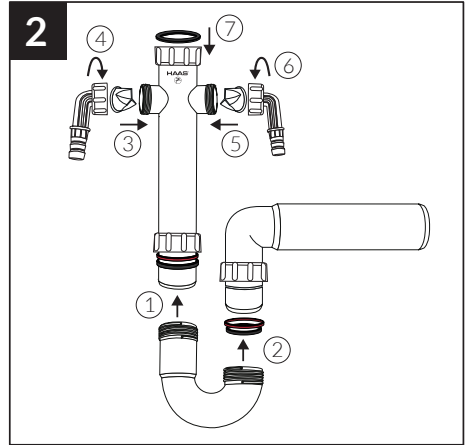
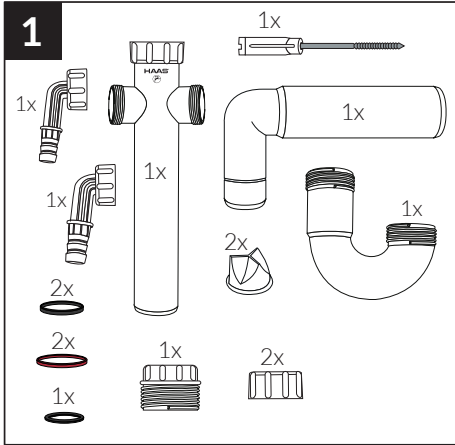




Art. 4981 / DN 56



G = 1 1/2"
G¹ = 3/8"
G² = 1/2"