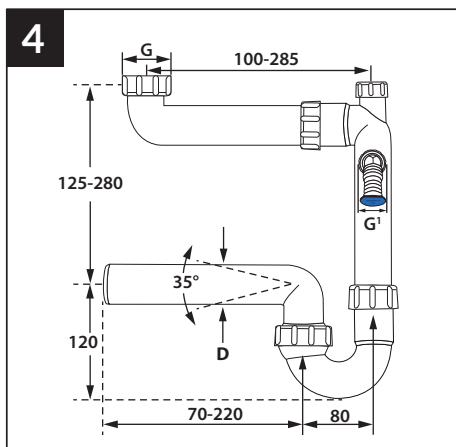
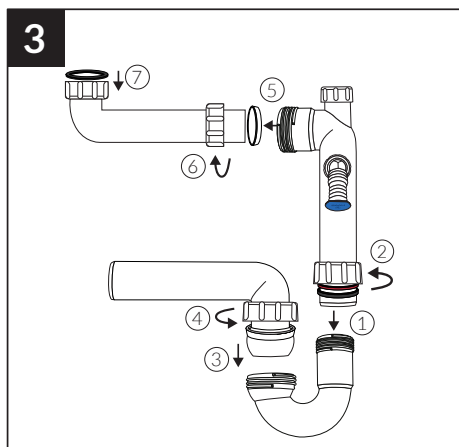
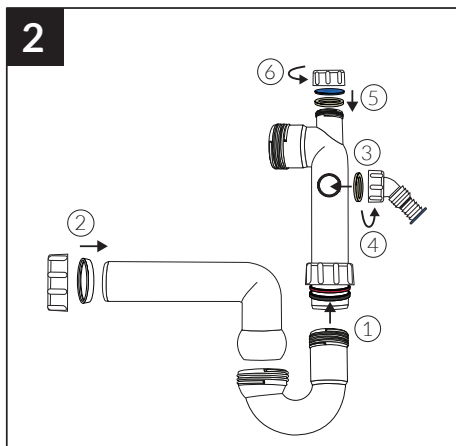
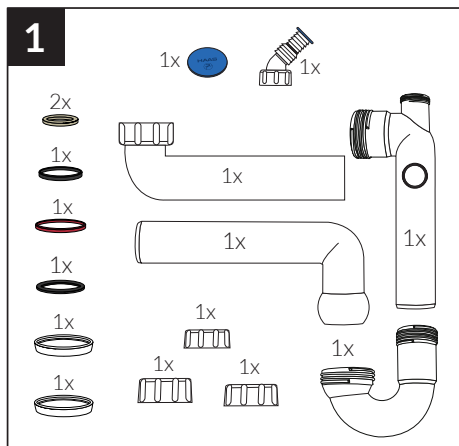




# Art. 4940 / DN 40



G = 1 1/2"