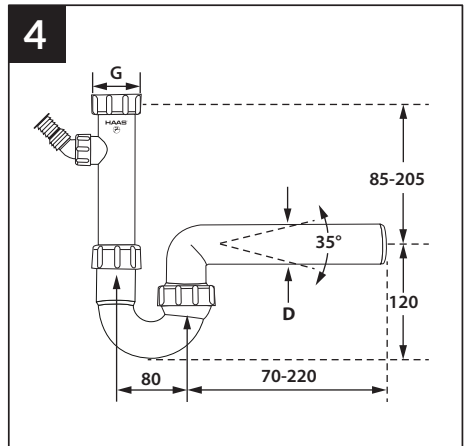
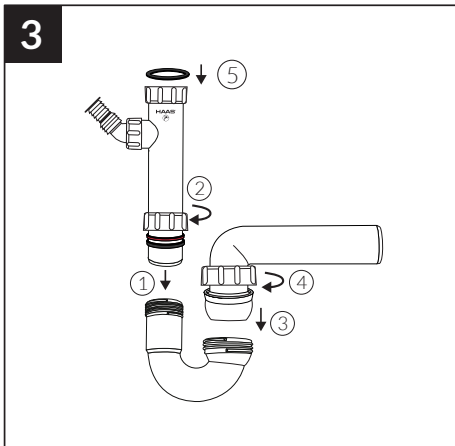
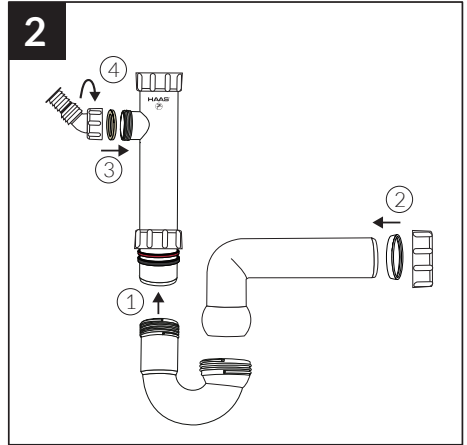
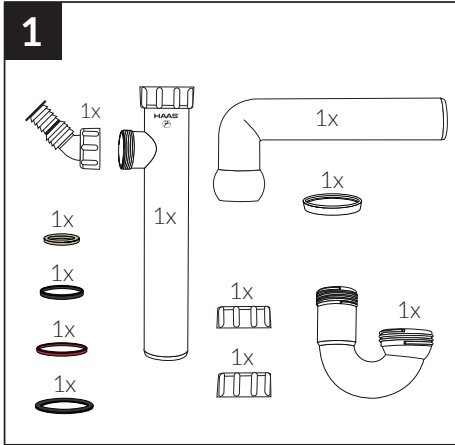




Art. 4840 / DN 40

Art. 4845 / DN 50



G = 1 1/2"