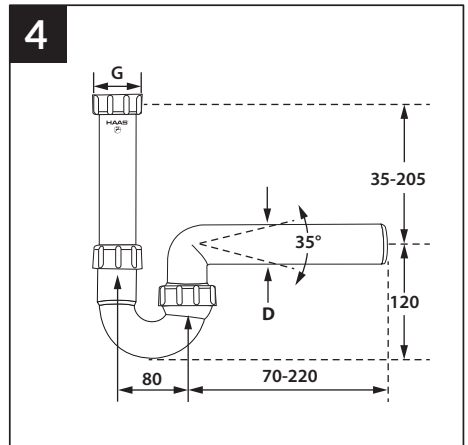
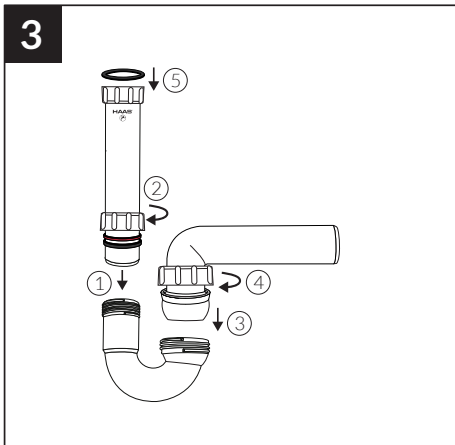
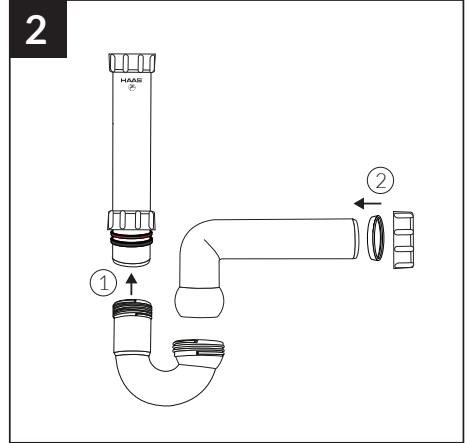
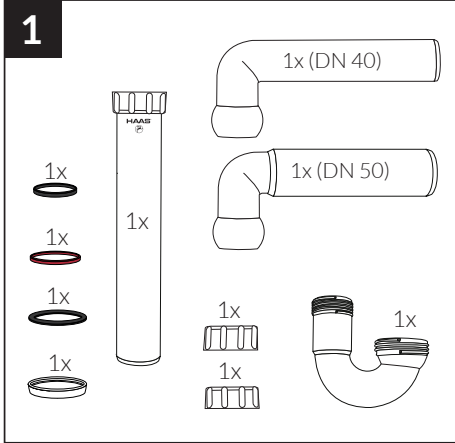




Art. 4825 / DN 40/50



G = 1 1/2"