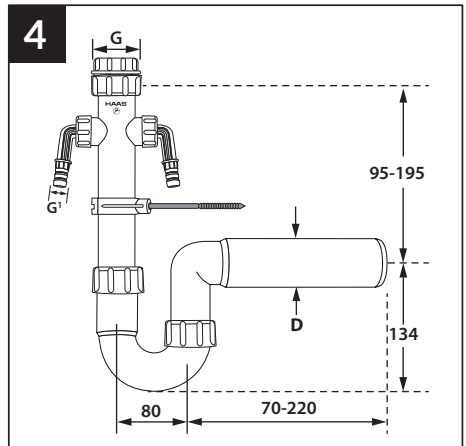
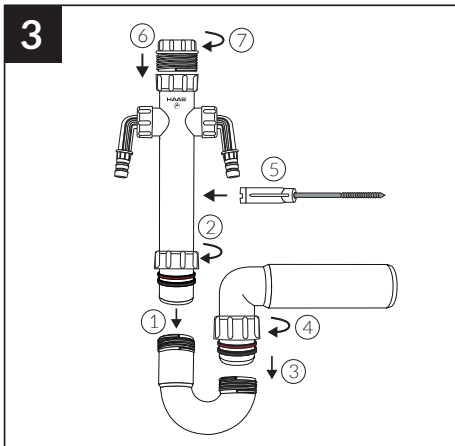
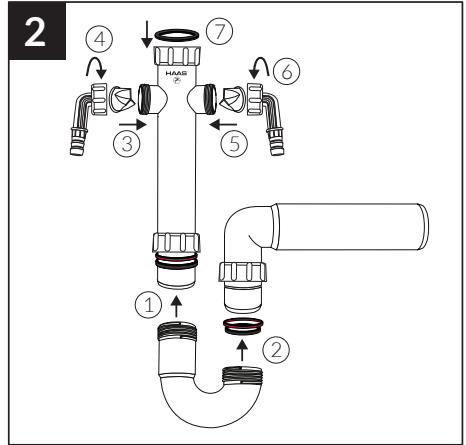
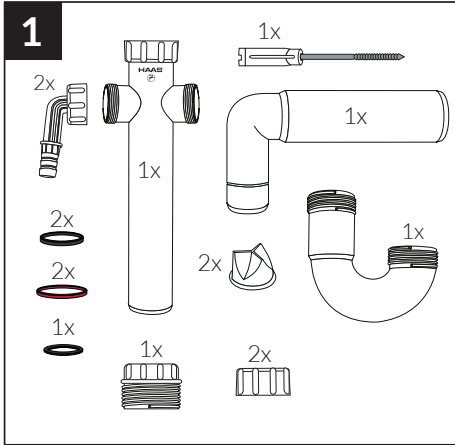




Art. 4681 / DN 56



G = 1 1/2"
G' = 3/8"