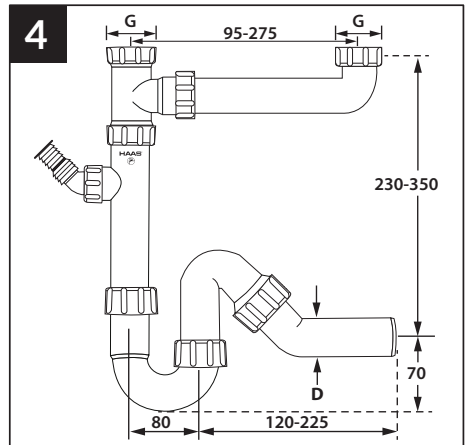
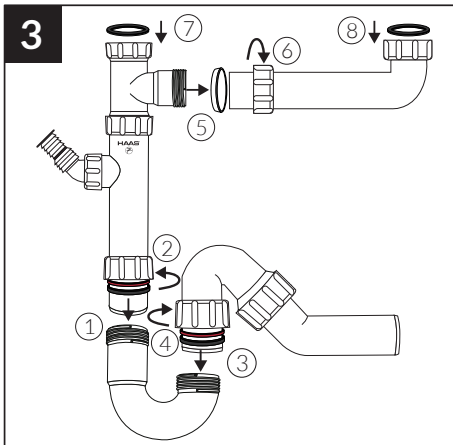
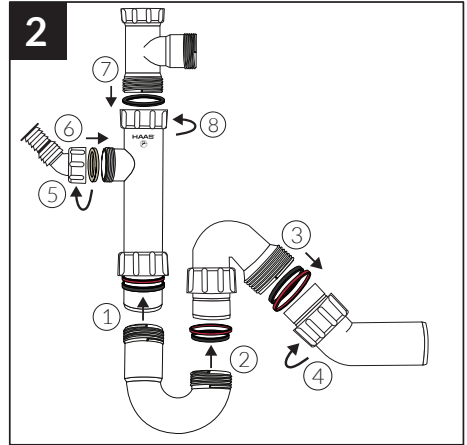
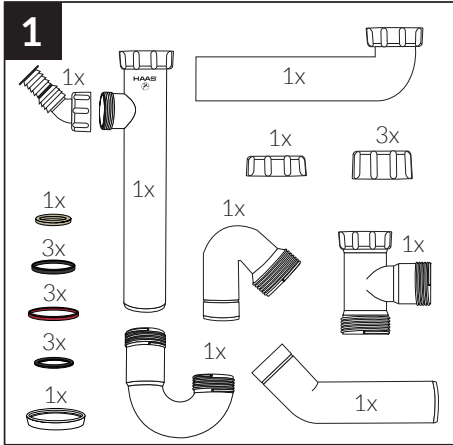




# Art. 2990 / DN 40

## Art. 2995 / DN 50



$G = 1\frac{1}{2}''$