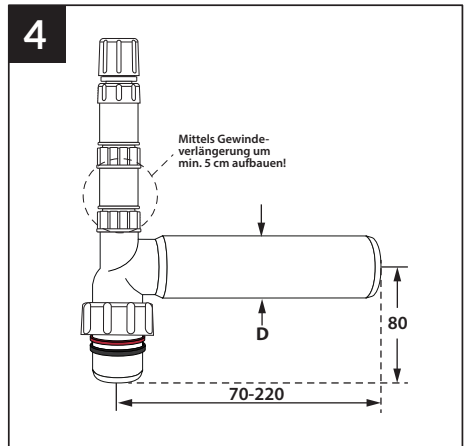
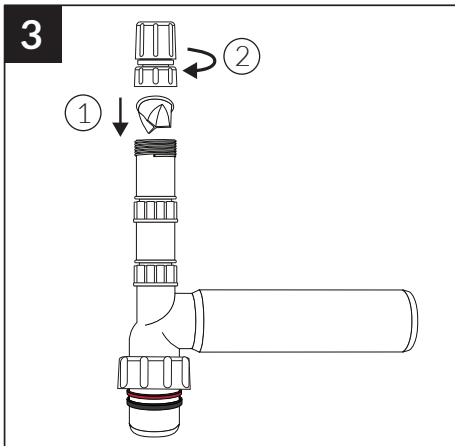
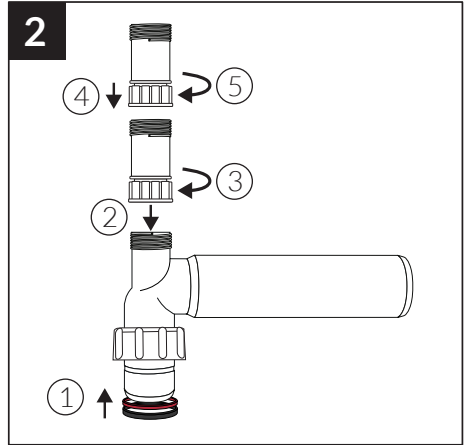
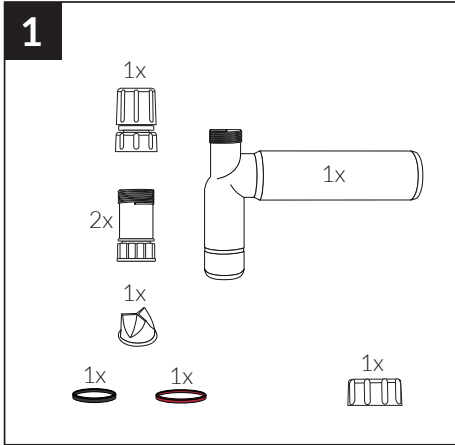




Art. 2978 / DN 40

Art. 2979 / DN 50



G = 1"