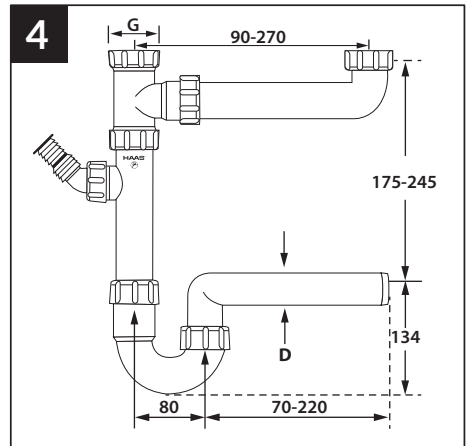
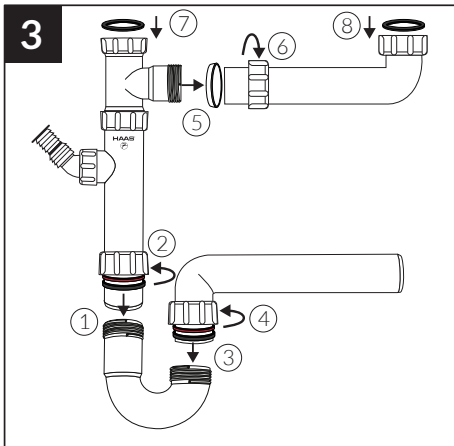
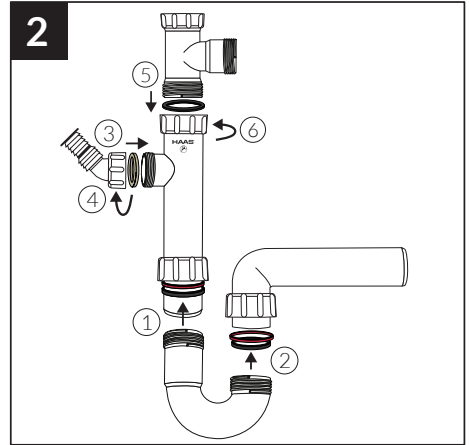
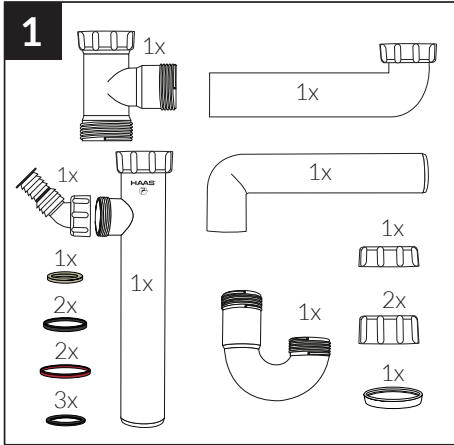




# Art. 2970 / DN 40

# Art. 2975 / DN 50

# Art. 2977 / DN 56



G = 1½"