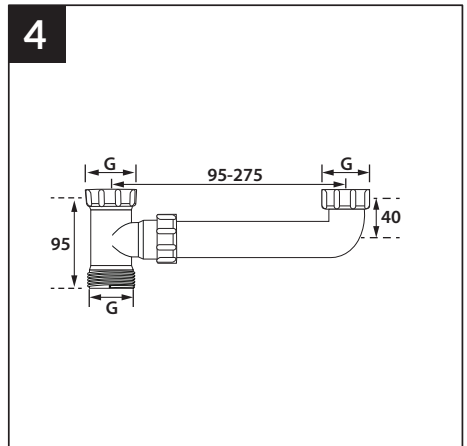
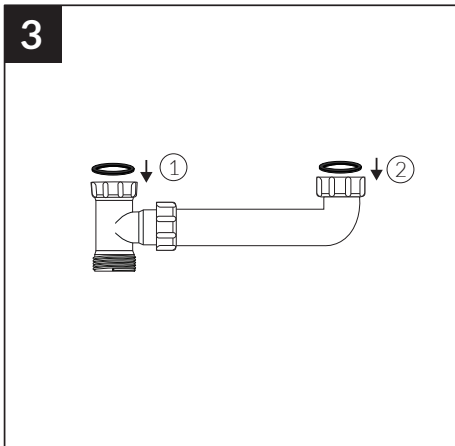
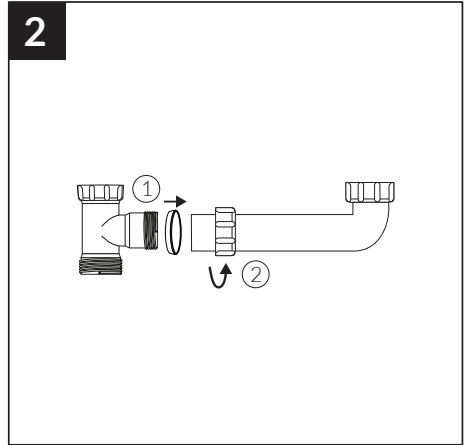
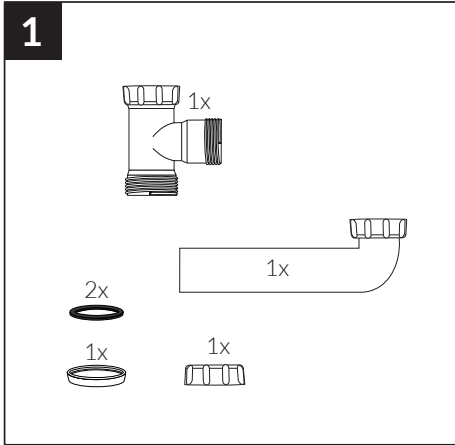


Art. 2960 / DN 40



G = 1½"