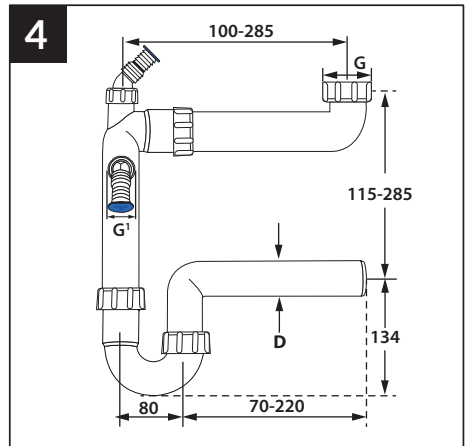
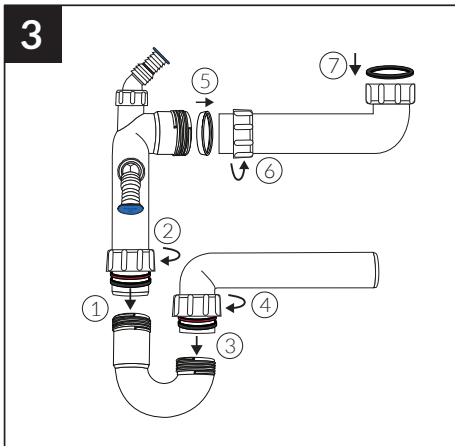
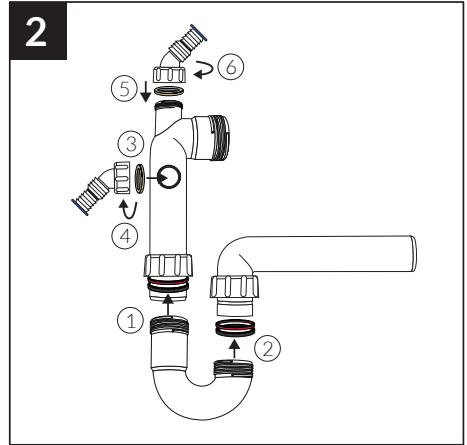
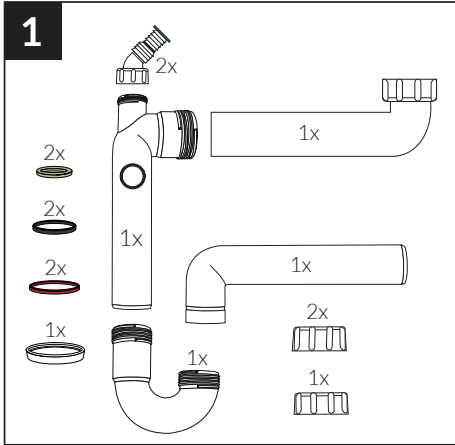




**Art. 2950 / DN 40**  
**Art. 2955 / DN 50**  
**Art. 4936 / DN 56**



**G = 1½"**  
**G' = 1"**