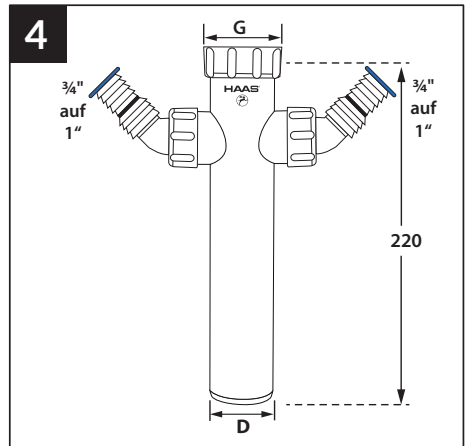
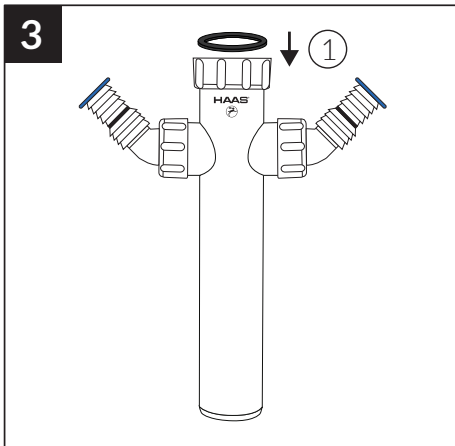
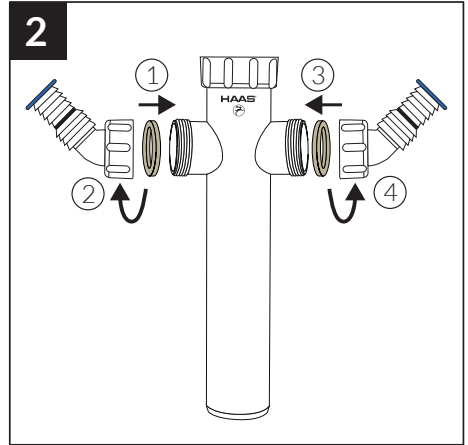
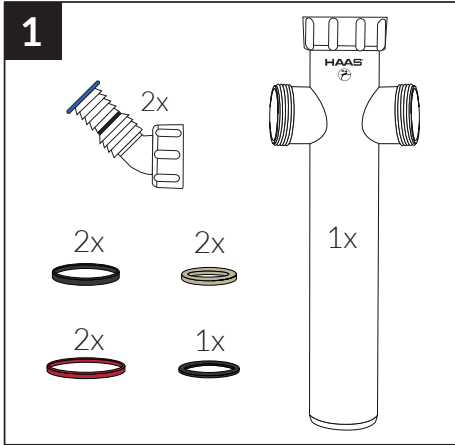




Art. 2921 / DN 40



G = 1 1/2"