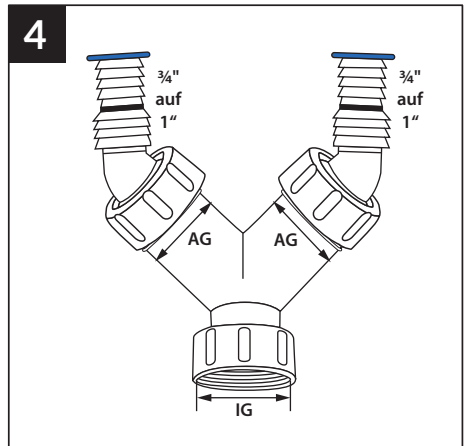
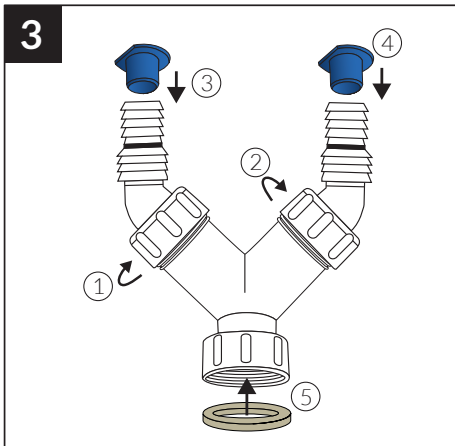
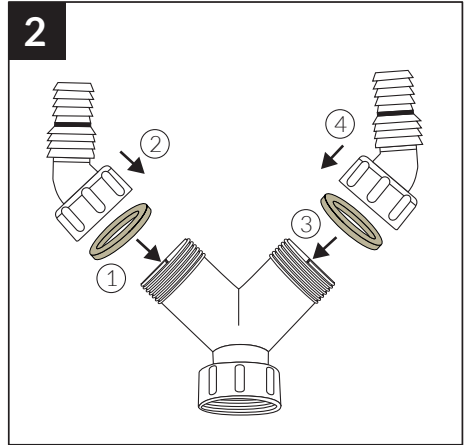
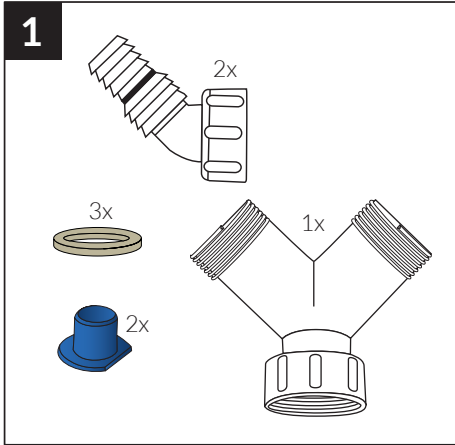




Art. 2914



AG = 1"
IG = 1"