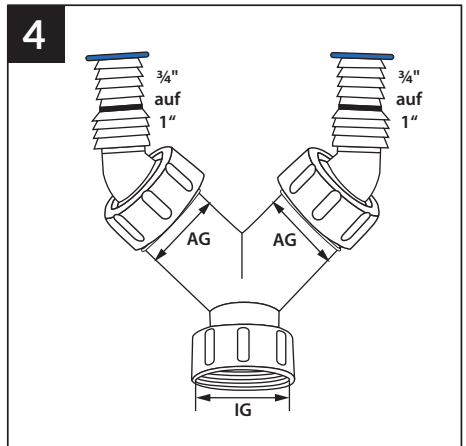
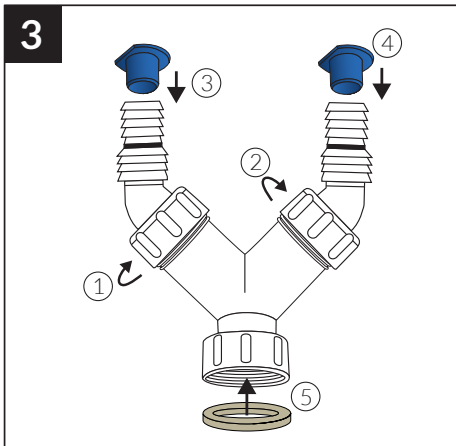
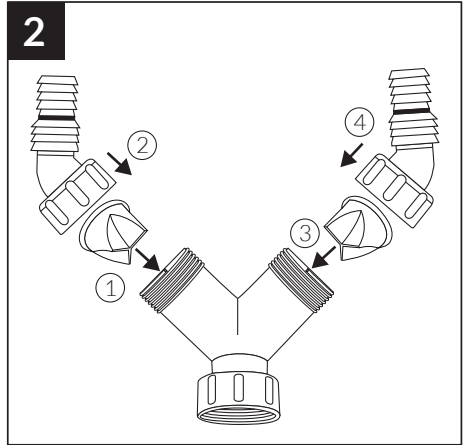
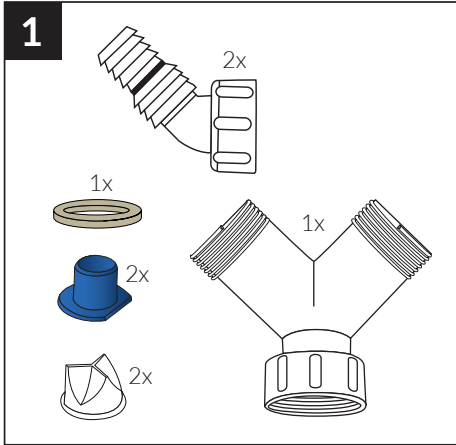


# Art. 2913



AG = 1"  
IG = 1"