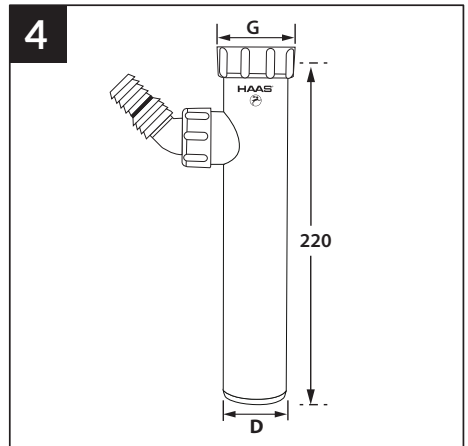
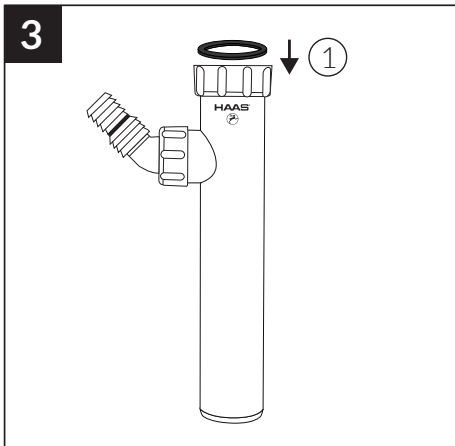
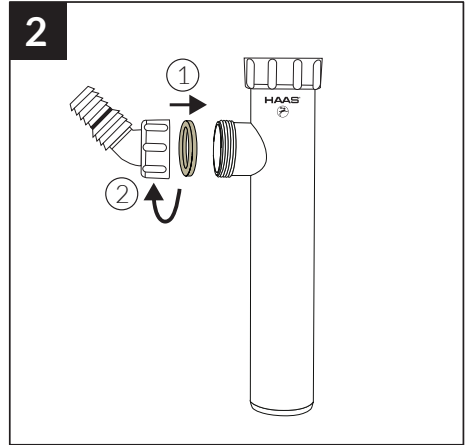
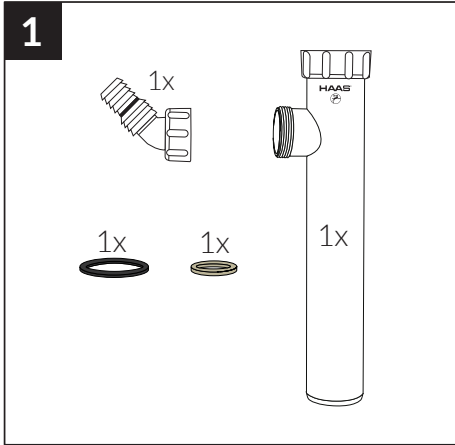




# Art. 2911 / DN 40



**G = 1½"**