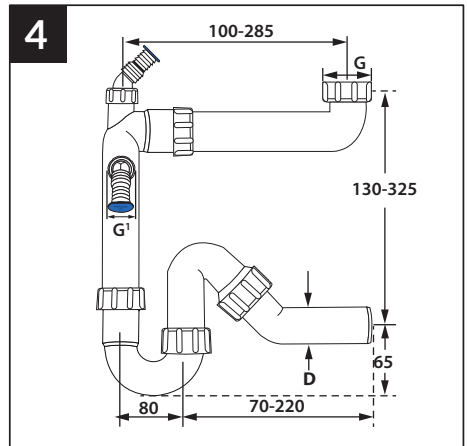
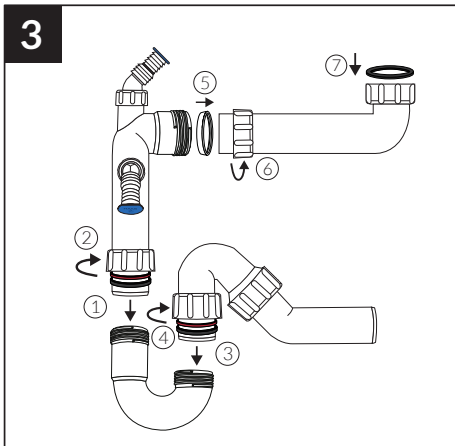
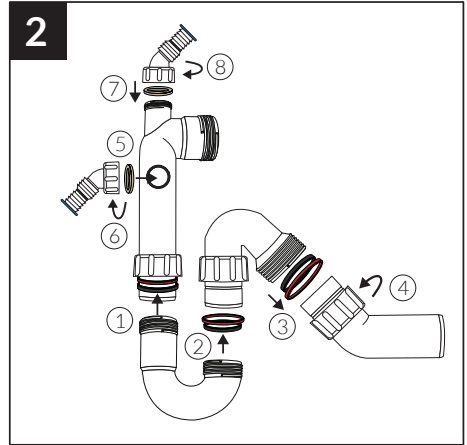
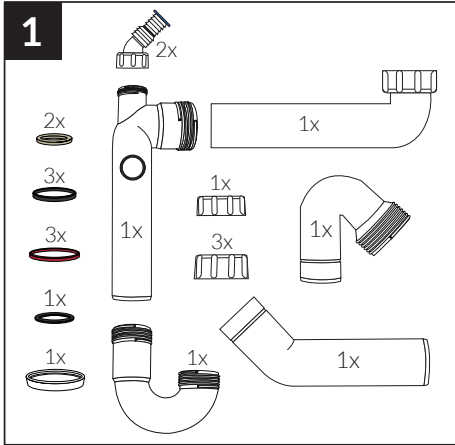




Art. 2904 / DN 50



G = 1½"
G' = 1"