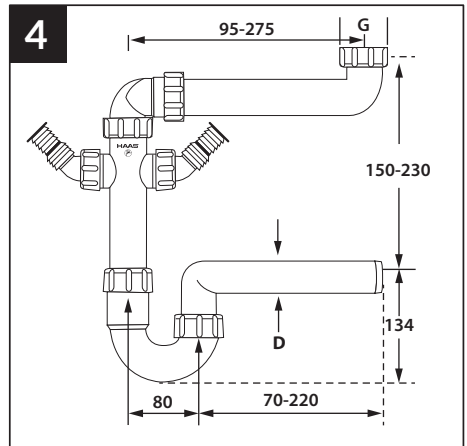
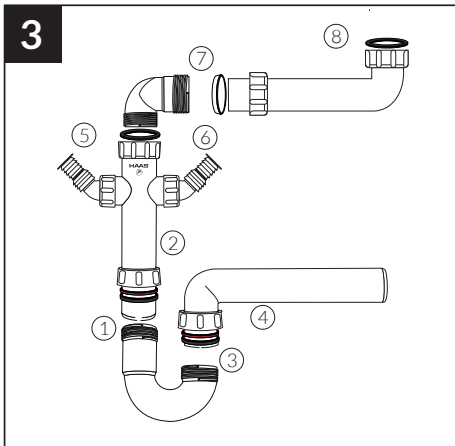
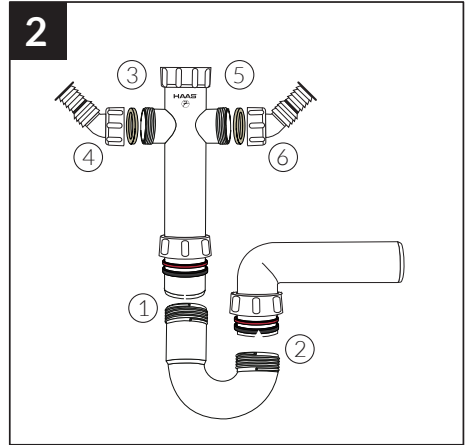
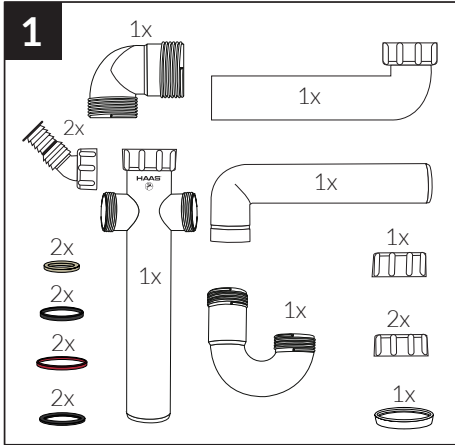




Art. 2891



G = 1½"