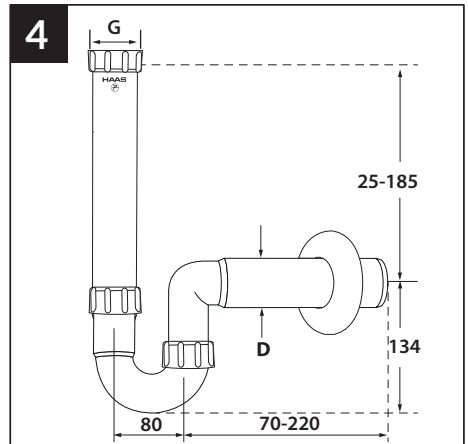
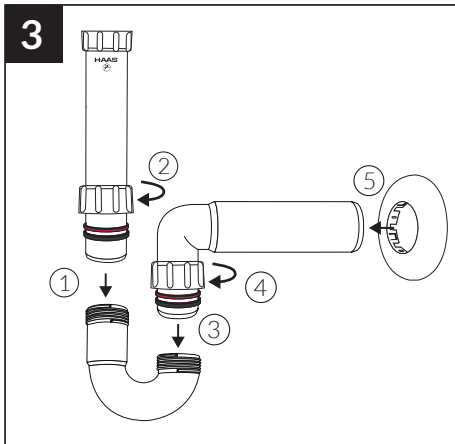
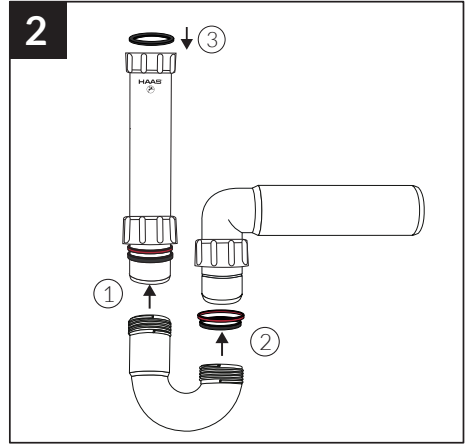
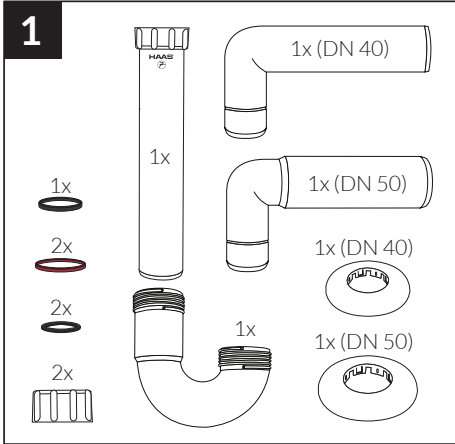


# Art. 2867

## DN 40/50



**G = 1½"**