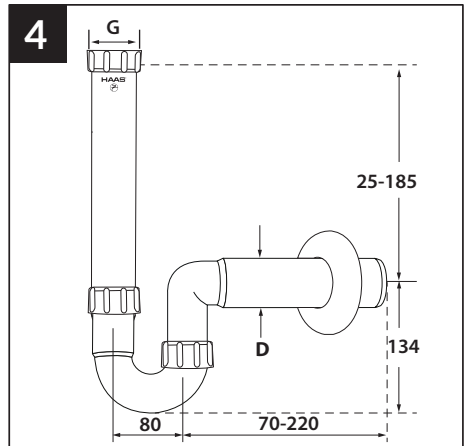
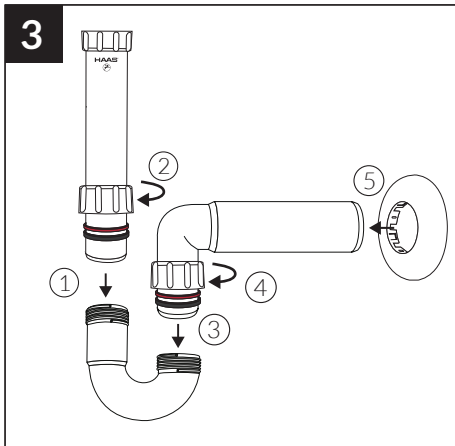
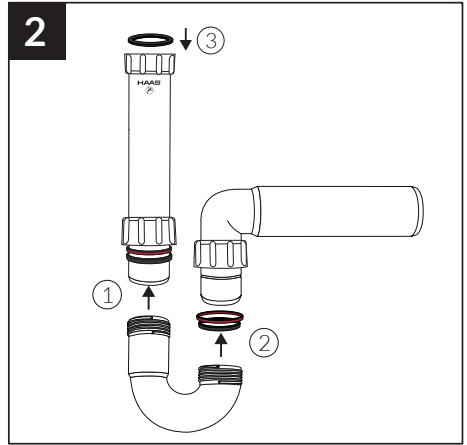
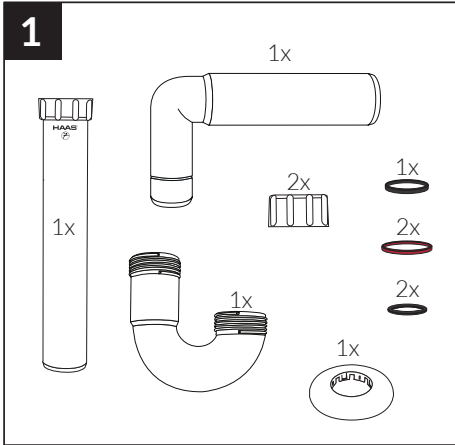




Art. 2860 / DN 40 Art. 2865 / DN 50



G = 1½"