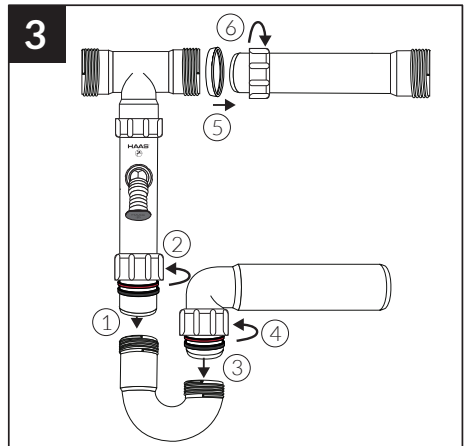
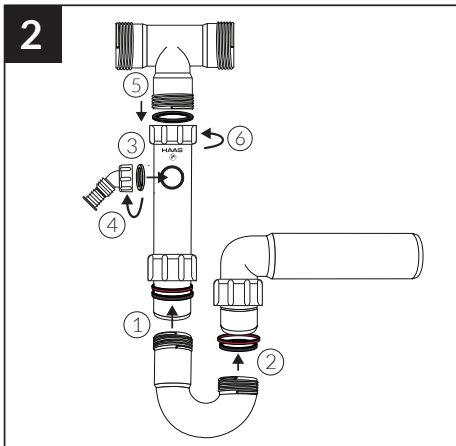
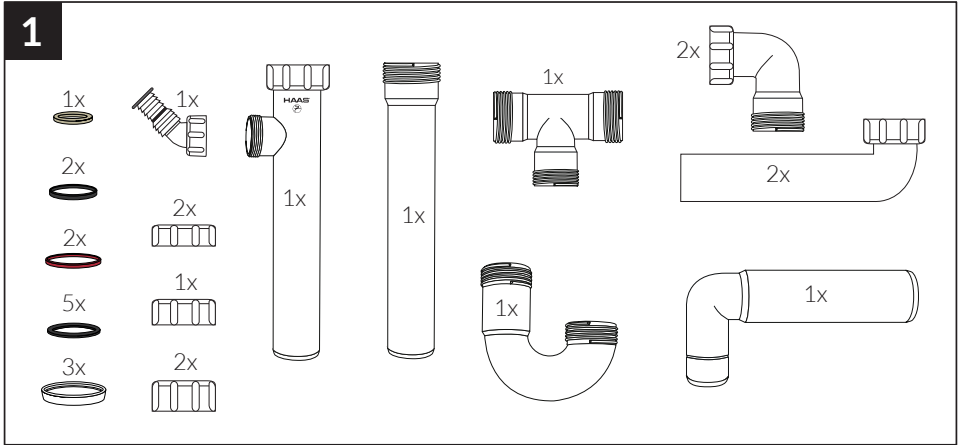
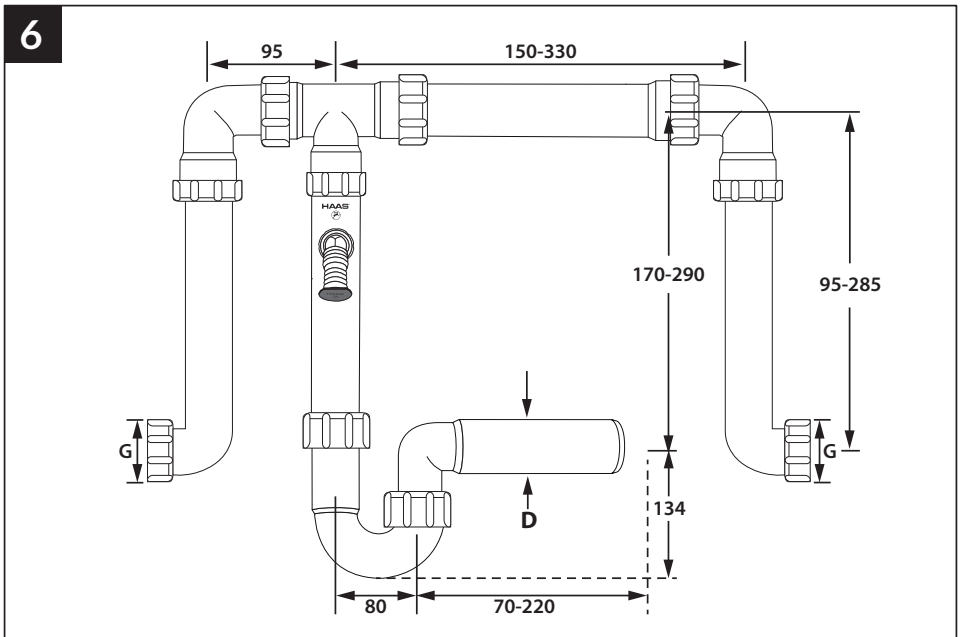
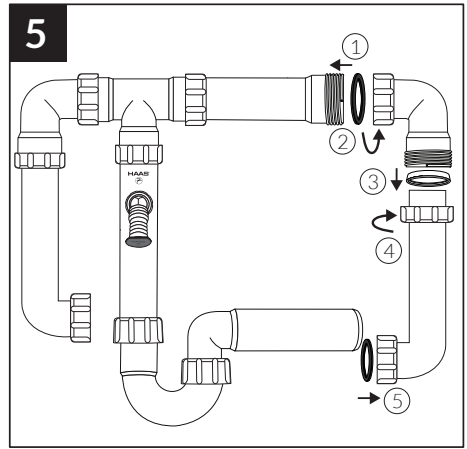
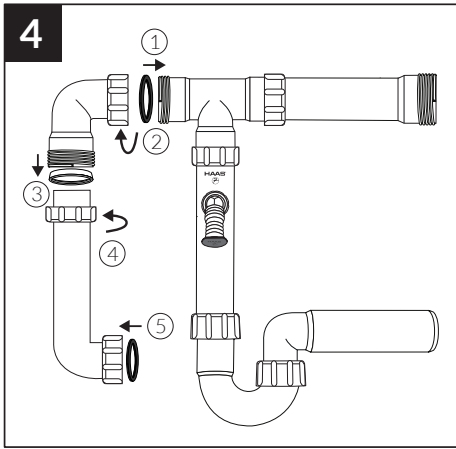




# Art. 2840 / DN 40

# Art. 2845 / DN 50





**G = 1½"**