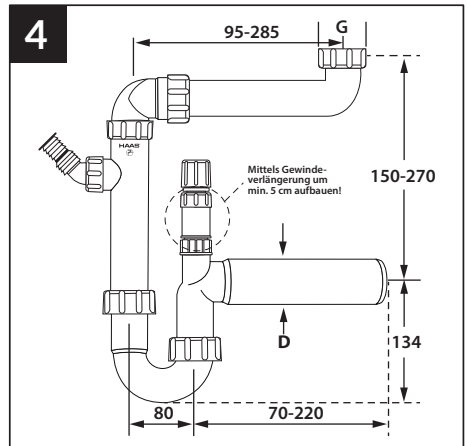
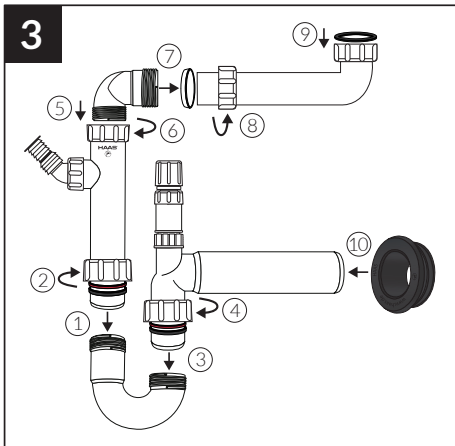
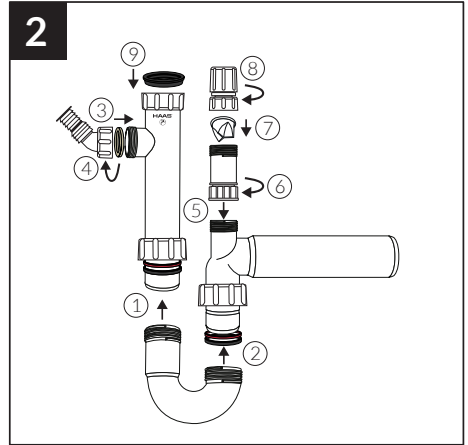
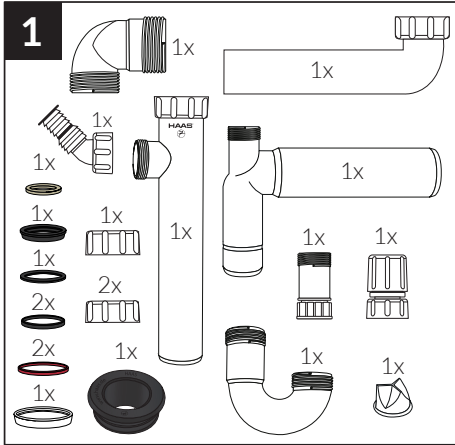




Art. 2675 / DN 50/56



G = 1½"