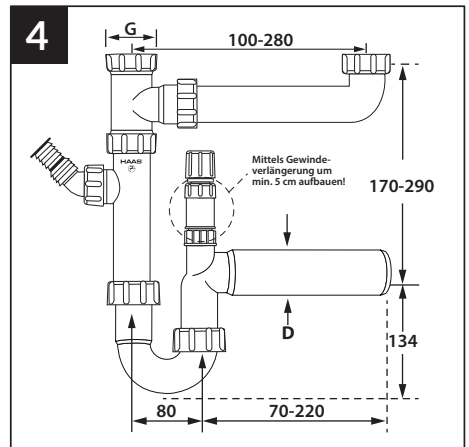
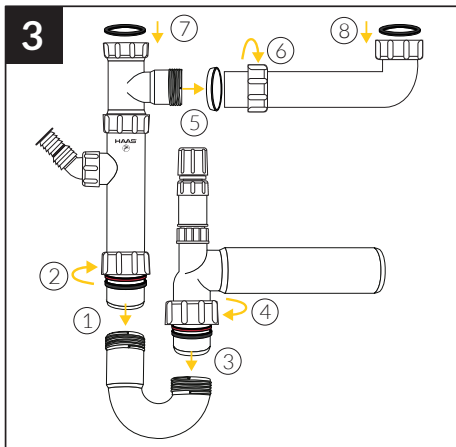
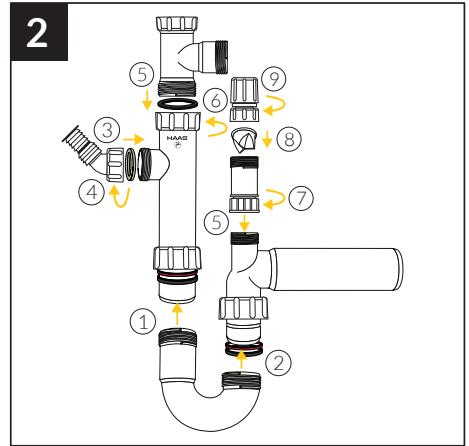
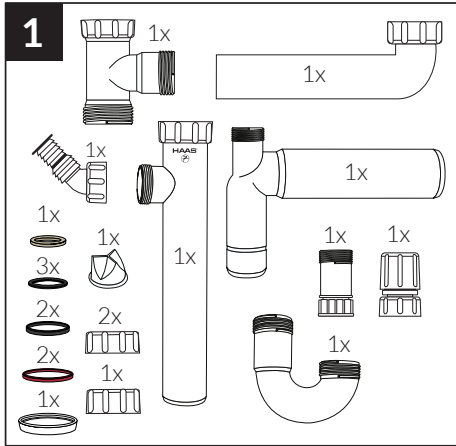




# Art. 2630 / DN 40 Art. 2635 / DN 50



**G = 1½"**