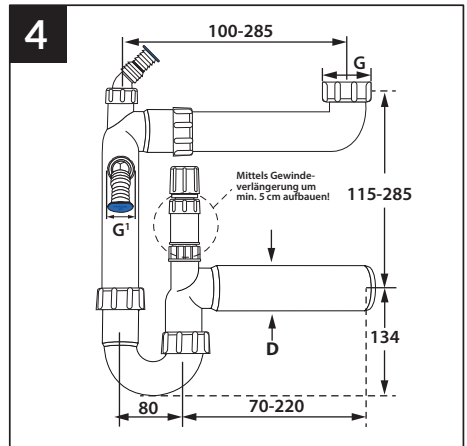
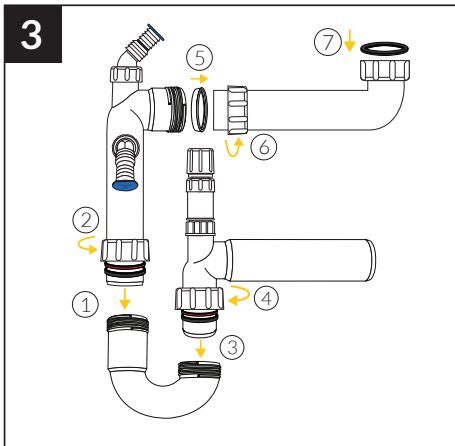
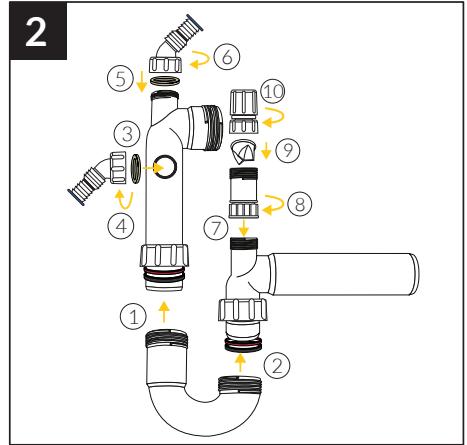
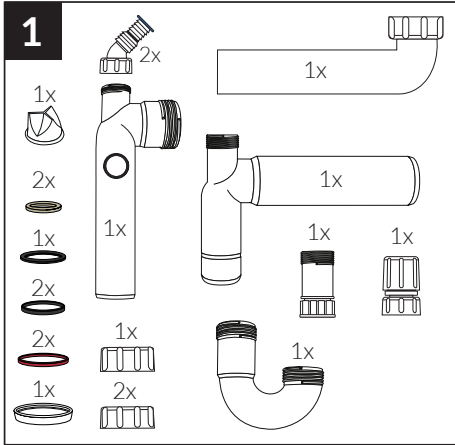




Art. 2620 / DN 40

Art. 2625 / DN 50

Art. 2685 / DN 56



G = 1½"